



ESI Tote System

ISO 14001 Certified

Total Service tote system for non-hazardous oily water waste streams.

For the smaller generator of non-hazardous wastewater, ESI Environmental has developed the Tote System. Each seamless one-piece, 330 gallon capacity tote, constructed of half-inch thick polyethylene, offers superior strength, maximum corrosion resistance, and is 40 percent lighter than steel containers. Plus, the translucent sidewall provides visible liquid levels for easier visual monitoring. The ESI Tote System allows for neater, cleaner waste handling in your plant and is UN and D.O.T. approved.



EXPERTISE, SAFETY, AND COMPLIANCE

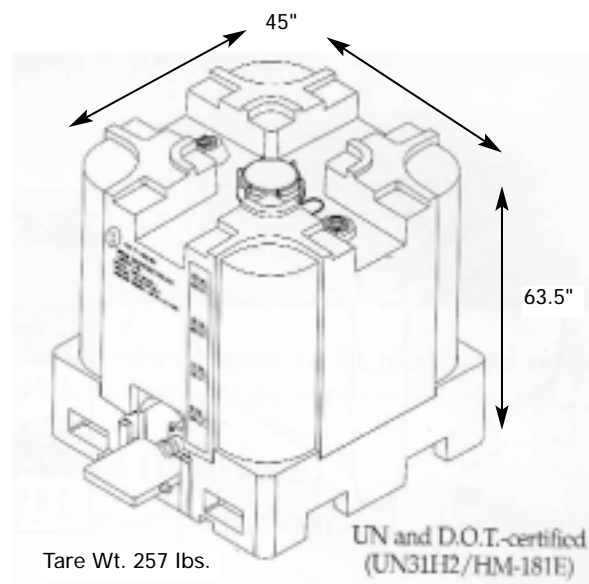
TOTE SYSTEM PROGRAM

- Preprinted Shipping Documents and Paperwork
- Improved Handling
- Safer than Drums
- Scheduled Pickups
 - No Need to Call
- Eliminate Drums Costs Premium Totes Provided
- Delivery Truck In and Out of Your Site Quicker
- Allows On-Site Management of Waste Streams
- Assured Compliance and Protection
 - Waste Stream are Never Mixed
- At State-of-the-Art ISO 14001 Certified Facility
 - Full Compliance with All Existing and New Regulations
- Improved Esthetics
 - Neater, Cleaner Waste Handling In Your Plant



TOTE FEATURES

- Hefty half-inch (.5") wall thickness
- Polyethylene construction for superior impact strength
- Superior corrosion resistance
- Seamless one-piece construction
 - Minimizes leak potential
- Visible liquid levels
 - Easier visual monitoring
- 40% lighter than steel containers
- Large 330 gallon capacity
 - Equals 6 drums
- 48% saving in floor space
- Reduced handling time
- Easier, quicker filling time
- Stackable
 - 2 to 3 high for better storage
- Premium features
 - Four-way forklift/two-way pallet jack base
 - Heavy-duty base provides more tank protection
 - Protective door for added security to bottom drain valve area
- 6.5" G.E.M. cap and seal
- UN and D.O.T. approved



Ecological Systems, Inc.
5232 West 79th Street • Indianapolis, Indiana 46268
800-886-7956 • www.ecologicalsystems.com

